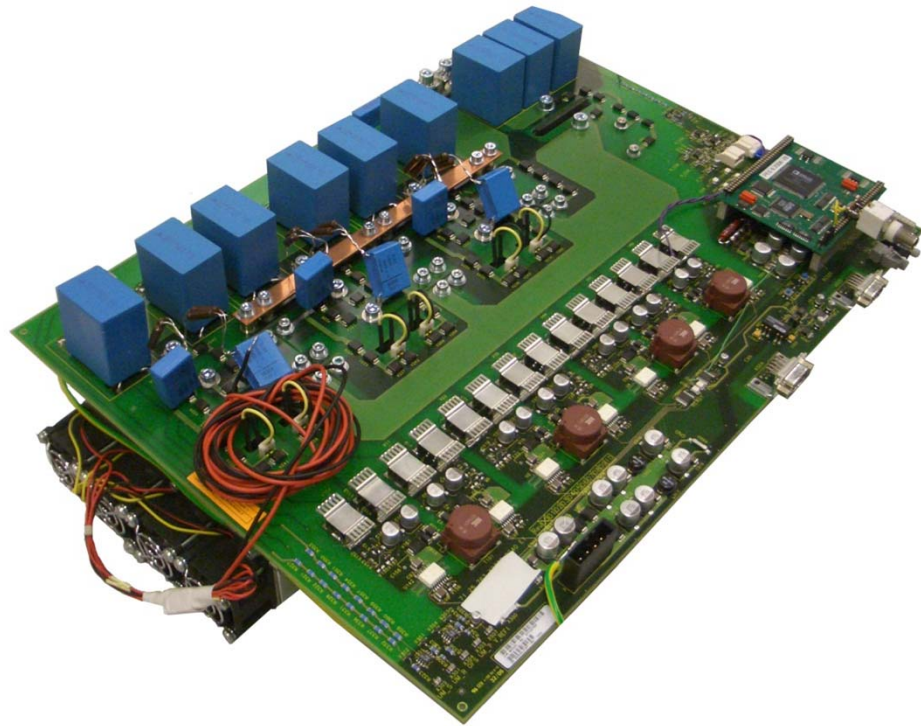

AC/DC Converters

(for high power application)



Features

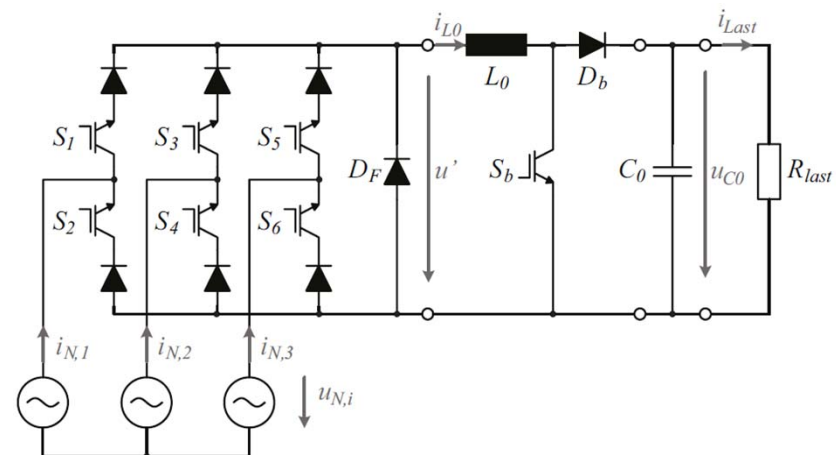
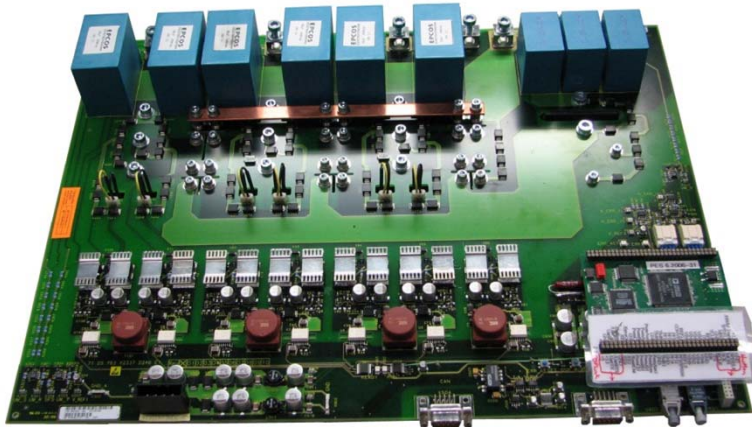
- **Three Phase PFC**
- **Unity Power Factor**
- **Buck and Boost Operation**
- **Wide Input and Wide Output Range**
- **Control Scheme for Continuous and Pulse Load Applications**
- **Forced Air or Water Cooling**
- **Hardware and Software Fault Protections (Over-Current and Over-Voltage)**

AC/DC Converters

(for high power application)

Specifications

- **Power Range:** 0W ... 25kW
- **Nominal Input Voltage (line to line):** 180V ... 530V
- **Output Voltage:** 150V ... 450V
- **Switching Frequency:** 20kHz

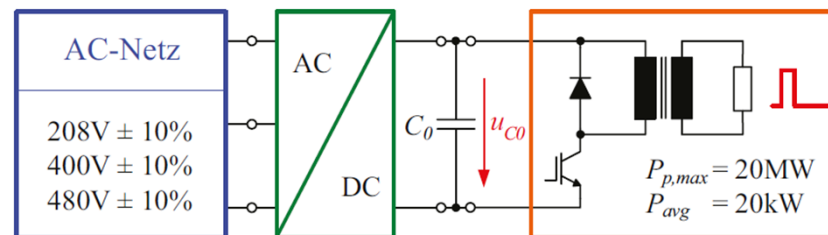


AC/DC Converters

(for high power application)

Special Applications

- Designed for Continuous Load or Pulse Load Application (Pulsed Power)



- Special Control Scheme to achieve Unity Power Factor even with Pulsed Load Applications

