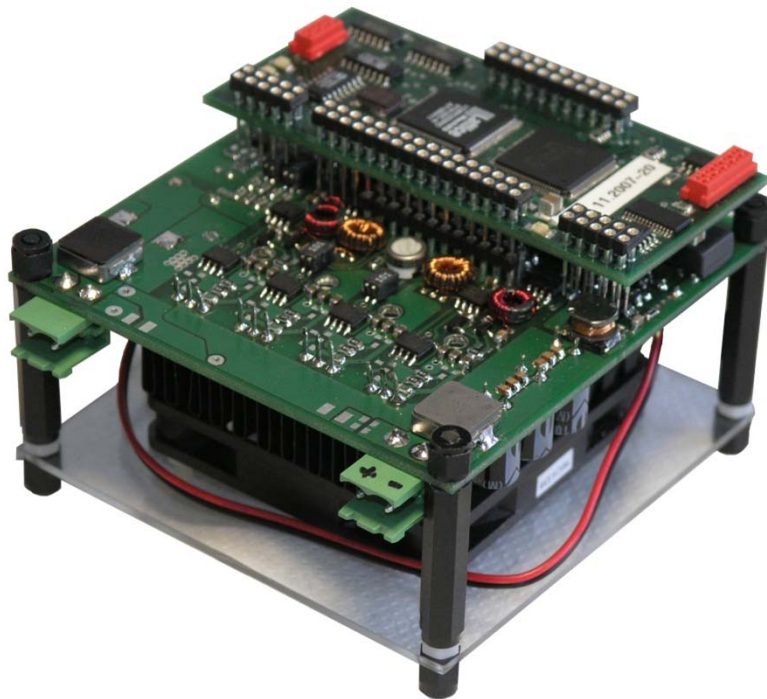

DC/AC Converters (for high frequency application)



Features

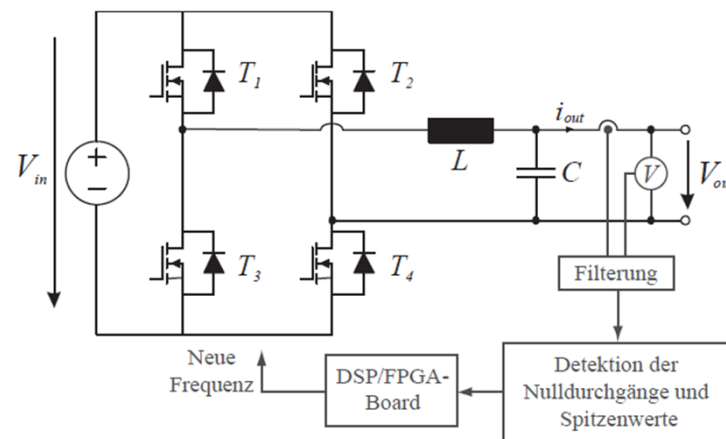
- **DSP-controlled high Frequency Amplifier**
- **High Switching Frequency**
- **High output frequency range**
- **Output Voltage or Output Current Control**
- **Phase Control (for example to drive piezoelectric actuators)**
- **Fundamental Frequency Pulse or Pulse Width Modulation**
- **Compact Design**

DC/AC Converters

(for high frequency application)

Specifications

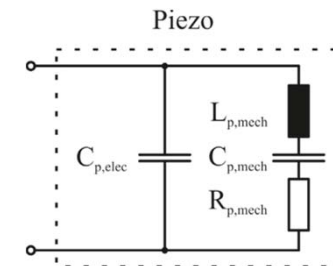
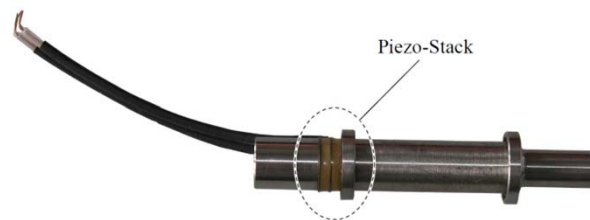
- **Frequency Range:** 0Hz ... 100kHz
- **Frequency Resolution:** < 10mHz
- **Power Range:** 0W ... 250W
- **Input and Output Voltage Range:** 0V ... 70Vpeak (without transformer)
0V ... xkV (with additional transformer)
- **Input and Output Current Range:** 0A ... 7Apeak
- **Switching Frequency:** 700kHz



DC/AC Converters (for high frequency application)

Typical Application and Electrical Performance

- **Driver for Piezoelectric Actuators**



- **Phase Control to drive the Electromechanical Transducer at its Resonance Frequency**

